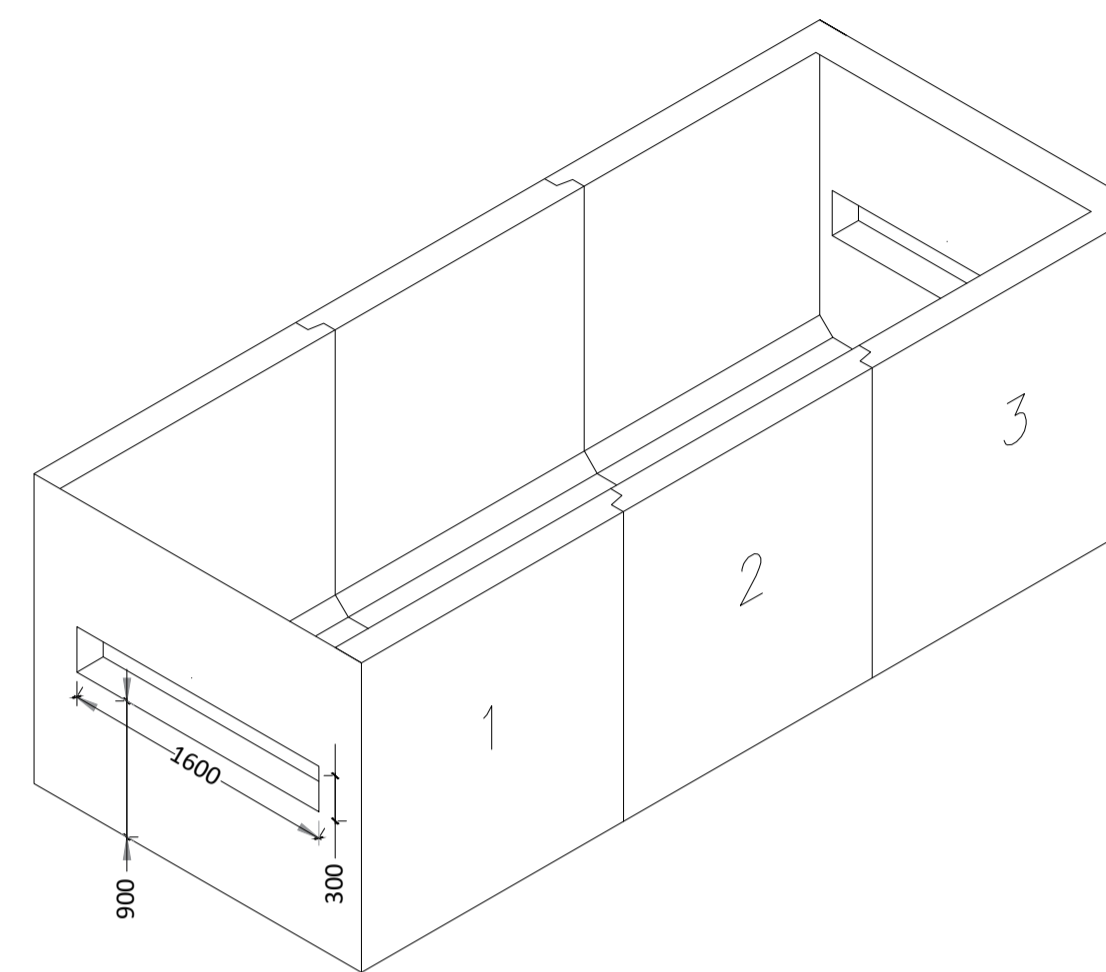
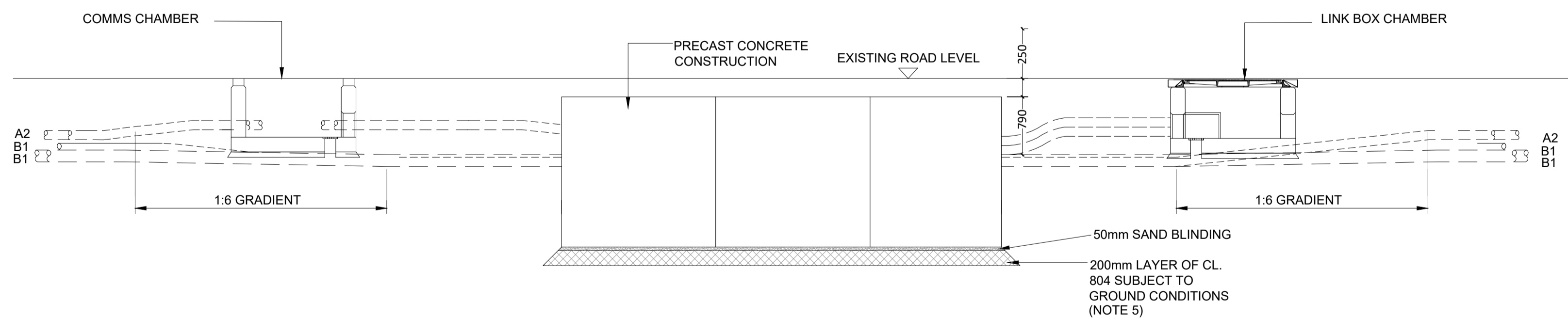


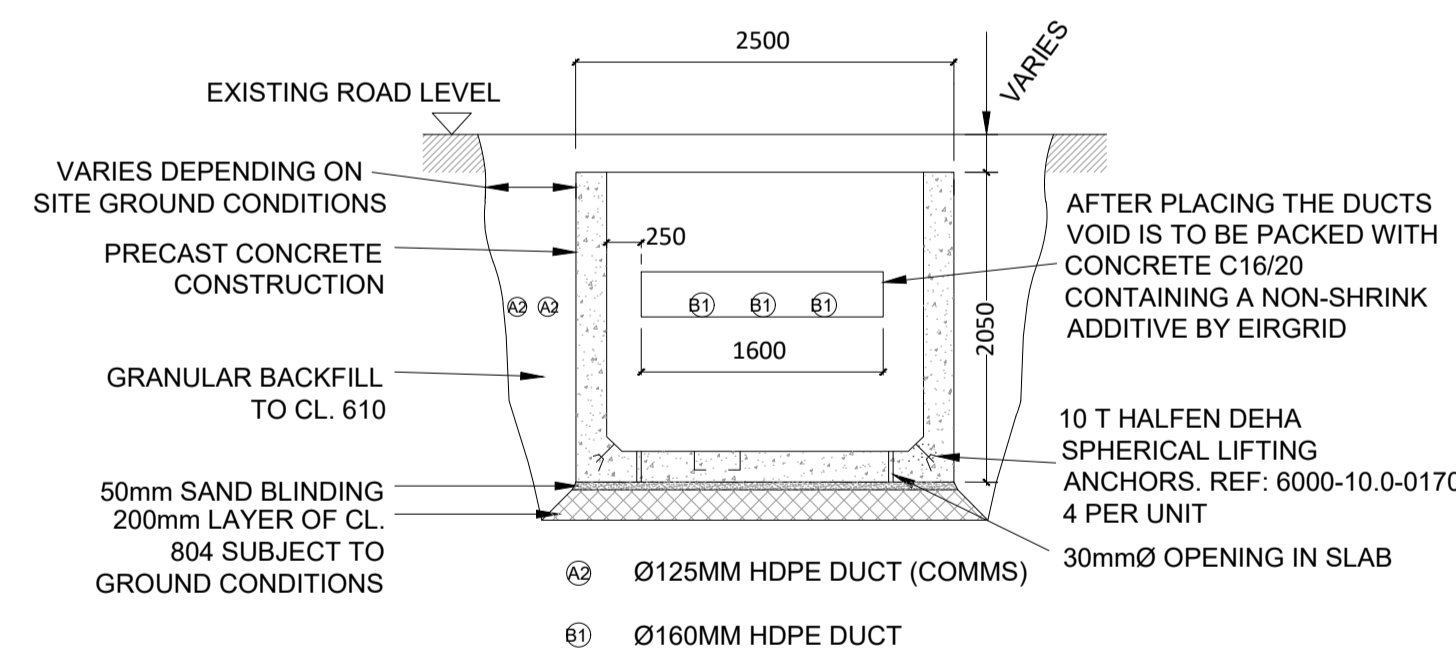
PLAN VIEW
SCALE 1:50



ISOMETRIC VIEW PRECAST CHAMBER
SCALE 1:50



SECTION B-B
SCALE 1:50



SECTION A-A
SCALE 1:50

- Notes:**
1. THIS DRAWING IS TO BE USED ONLY FOR THE PURPOSE OF ISSUE AND IS SUBJECT TO AMENDMENT.
 2. THIS DRAWING IS TO BE READ IN CONJUNCTION WITH ALL OTHER RELEVANT INFORMATION
 3. DO NOT SCALE FROM THIS DRAWING, USE ONLY PRINTED DIMENSIONS.
 4. ALL DIMENSIONS ARE IN MILLIMETRES UNLESS DEFINED OTHERWISE.
 5. STANDARD FOUNDATIONS ARE BASED ON THE FORMATION AT THE BASE OF THE EXCAVATION SHOWN BEING SUITABLE FOR A MINIMUM BEARING PRESSURE OF 100kN/m². SUITABILITY OF STANDARD JOINT BAY FOUNDATIONS CAN ONLY BE CONFIRMED FOLLOWING GROUND INVESTIGATION. HAND VANE TESTS SHALL BE REQUIRED AS PER GI SPECIFICATION. WHERE SPECIFIED MINIMUM BEARING PRESSURE IS NOT ACHIEVABLE, AND WHERE PEAT IS ENCOUNTERED, THE CONTRACTOR SHALL REFER TO THE ENGINEER FOR GUIDANCE.
 6. THE LENGTH OF BONDING LEAD LENGTH SHALL IN NO CASE EXCEED 10M. NO JOINTS IN BONDING CABLE ARE PERMITTED. ALL EARTHING SHALL BE IN ACCORDANCE WITH ENA ER C55 AND EIRGRID/ESB FUNCTIONAL SPECIFICATION.
 7. THE DEPTH FROM GROUND/ROAD LEVEL TO THE TOP OF THE CONCRETE WALL SHALL BE:
A. 500mm - IN CULTIVATED FIELDS & GRASS LAND
B. 300mm - IN PAVED ROADS AND GRASS VERGES
C. 350mm - IN PAVED CITY ROADS AND GRASS VERGES
 8. LINK BOX CHAMBERS TO BE POSITIONED AT THE EDGE OR OFF ROAD.
 9. LINK BOX CHAMBERS AND C2 COMM CHAMBERS FINAL POSITIONING TO BE AGREED WITH EIRGRID PRIOR TO INSTALLATION

1	GENERAL UPDATES	07/23	IG	GO	SM
0	PLANNING APPLICATION	06/23	IG	MM	CL
Rev	Amendments	Date	By	Chk	Auth



www.slrconsulting.com

Drawing Status & Suitability Code

Client
COOLGLASS WIND FARM LIMITED

Project
COOLGLASS WIND FARM

Drawing Title
TYPICAL MV JOINT BAY DETAILS

Scale 1:50	@ A1	SLR Project No. 428.V02036.00787
Designed CL	Drawn IG	Checked MM
Date 06/23	Date 06/23	Date 06/23
Authorised CL	Authorised CL	Authorised CL
Date 06/23	Date 06/23	Date 06/23
Drawing Number ABP-428.V02036.00787.047	Rev 1	

