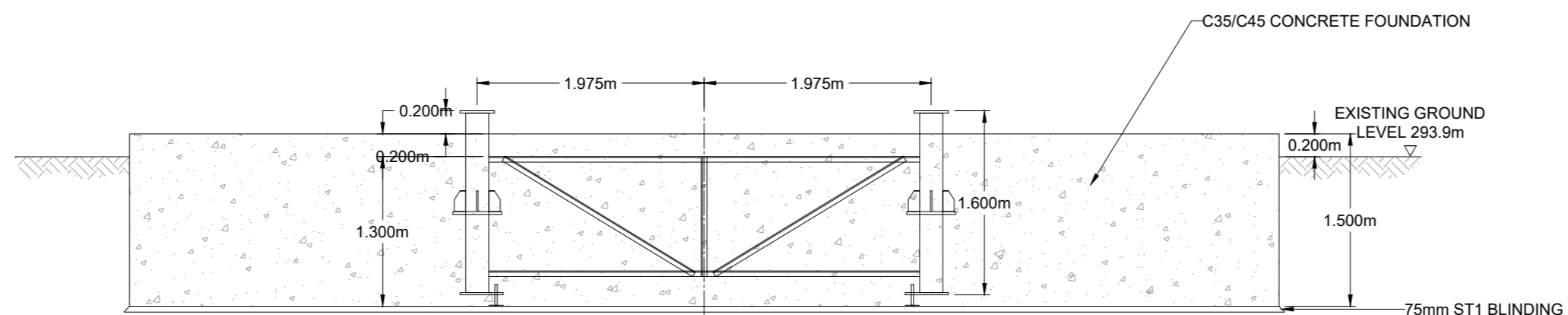
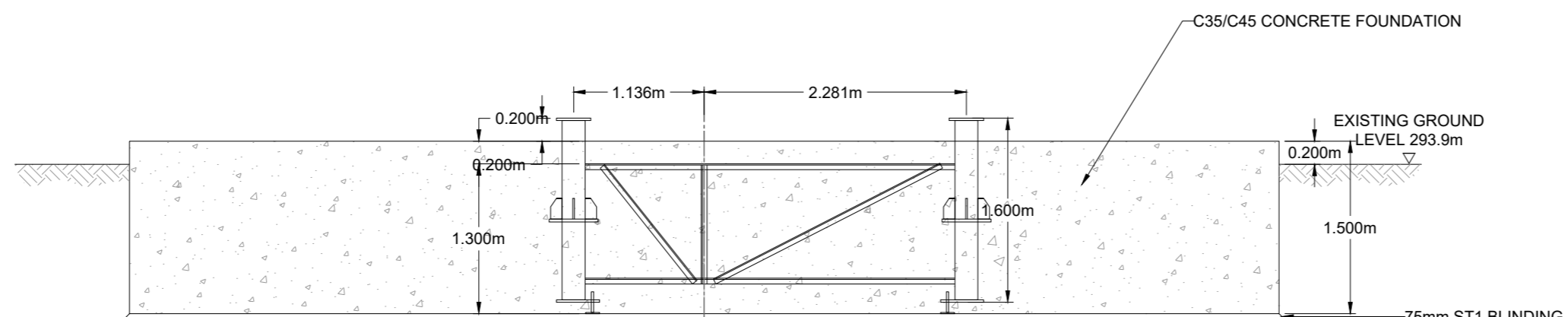


PLAN



SECTION A-A



SECTION B-B



Notes:

1. ALL DIMENSIONS ARE IN METERS
2. ALL LEVELS ARE SHOWN IN METERS ABOVE ORDINANCE DATUM

Legend:

Rev	Amendments	Date	By	Chk	Auth
1	GENERAL UPDATES	07/23	LB	GO	SM
0	PLANNING APPLICATION	06/23	IG	MM	CL

Rev	Amendments	Date	By	Chk	Auth
1	GENERAL UPDATES	07/23	LB	GO	SM
0	PLANNING APPLICATION	06/23	IG	MM	CL



www.slrconsulting.com

Drawing Status & Suitability Code

Client
COOLGLASS WIND FARM LIMITED

Project
COOLGLASS WIND FARM

Drawing Title
MET MASS FOUNDATION DETAILS

Scale 1:50	@ A2	SLR Project No. 428.V02036.00787
Designed CL	Drawn IG	Checked MM
Date 06/23	Date 06/23	Date 06/23
Drawing Number ABP-428.V02036.00787.030		Rev. 1